



CATALOG OF

REPLACEMENT PARTS

MODEL PW36A & AW SERIES PREWASH UNIT

CPW80A
ML-104058 R-L
ML-104061 L-R

CPW80AW
ML-104090 R-L
ML-104091 L-R

CPW90A
ML-104205 R-L
ML-104204 L-R

CPW100A
ML-103912 R-L
ML-103913 L-R

CPW124A
ML-110048 R-L
ML-110047 L-R

PRIOR MLS COVERED IN THIS MANUAL:

CPW80A
ML-38955 R-L
ML-38956 L-R

CPW80AW
ML-103964 R-L
ML-103967 L-R

Table of Contents

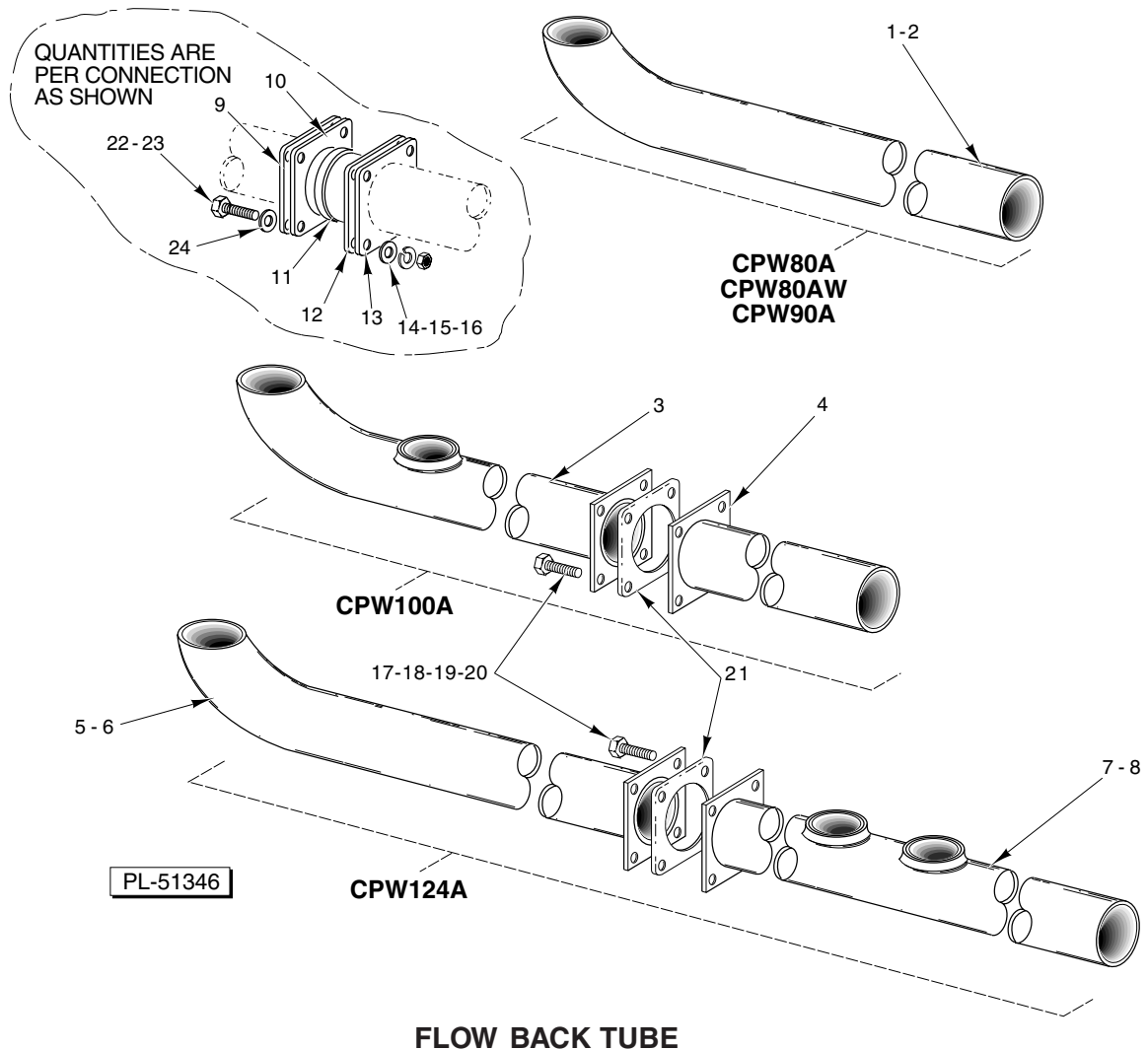
Page	Description
3	Flow Back Tube
4	Door and Curtain
6	Prewash Motor and Pump
8	Prewash Chamber and Tank
10	Prewash Arms and Tubes
12	Drain
14	Water Level Floats
16	Track & Cradle
18	Actuator Mechanism
20	Prewash Temperature Control – Piping
22	Prewash Temperature Control – Electrical
23	Bucket and Strainer Pans
24	Miscellaneous

This catalog contains parts for standard height as well as 6" higher than standard height. For proper identification of some parts, it is necessary to measure the door height; these parts are noted accordingly.

DOOR HEIGHT

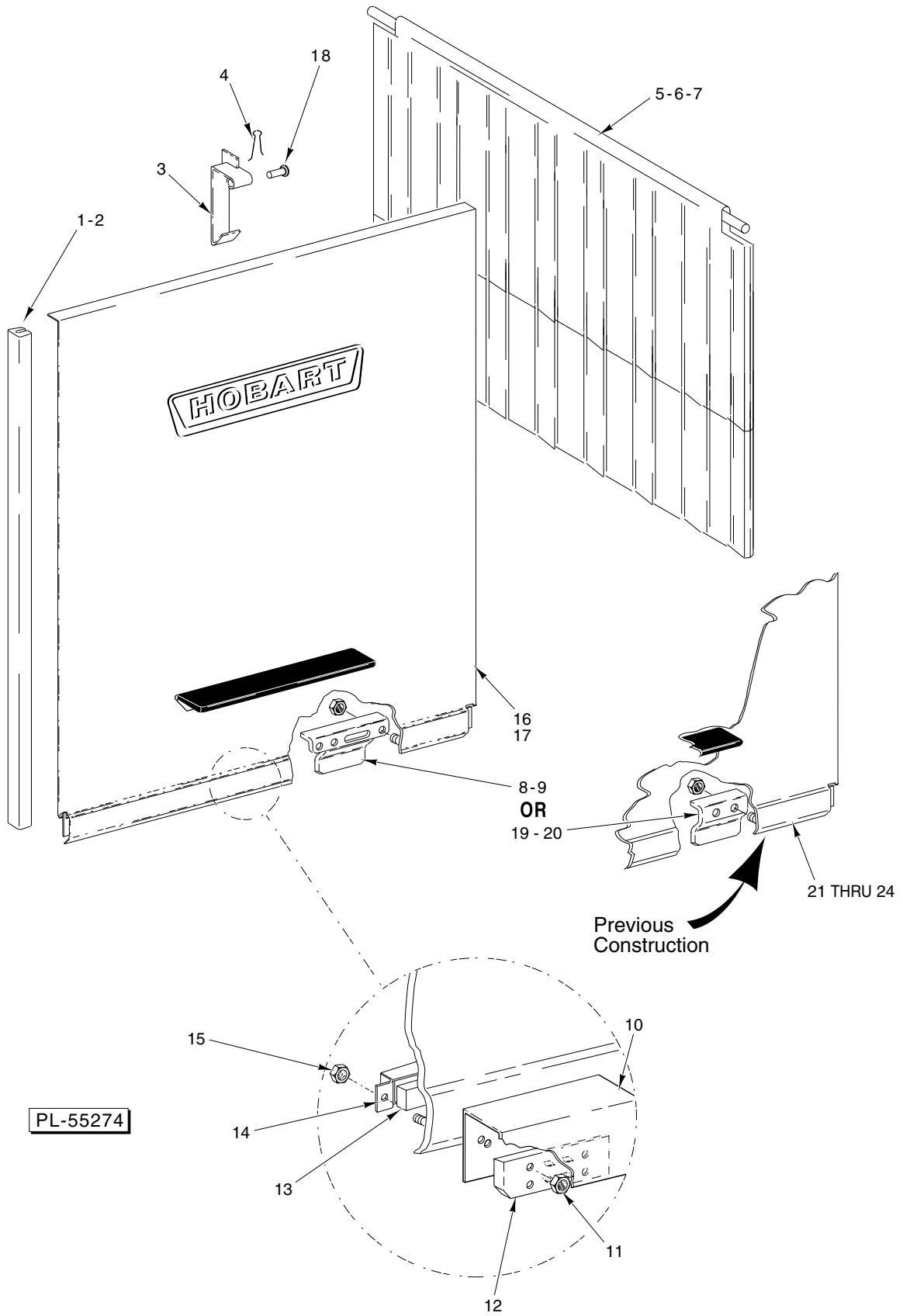
26¹/₈ = Standard

32¹/₈ = 6" Higher than Standard



FLOW BACK TUBE

ILLUS.	PART NO.	NAME OF PART	AMT.
	PL-51346		
1	00-274113-00003	Flow Back Tube (R-L) (CPW80A/AW & CPW90A)	1
2	00-274113-00004	Flow Back Tube (L-R) (CPW80A/AW & CPW90A)	1
3	00-436708	Flow Back Tube – Inside (CPW100A)	1
4	00-436710-00002	Flow Back Tube – Outside (CPW100A)	1
5	00-329664	Flow Back Tube – Outside (R-L) (CPW124A)	1
6	00-289502	Flow Back Tube – Outside (L-R) (CPW124A)	1
7	00-329658-00001	Flow Back Tube – Inside (R-L) (CPW124A)	1
8	00-329659-00001	Flow Back Tube – Inside (L-R) (CPW124A)	1
9	00-120115	Retainer – Seal	1
10	00-120603	Gasket – Seal Retainer	1
11	00-077621-00002	Ring – Sealing	1
12	00-120603	Gasket – Seal Retainer	1
13	00-120115	Retainer – Seal	1
14	WS-017-08	Washer	4
15	WL-006-23	Lockwasher ⁵ / ₁₆ Medium (SST)	4
16	NS-015-11	Nut ⁵ / ₁₆ -18 Hex	4
17	SC-041-15	Cap Screw ⁵ / ₁₆ -18 x 1 ¹ / ₄ Hex Hd.	4
18	WS-017-08	Washer	8
19	WL-006-23	Lockwasher ⁵ / ₁₆ Medium (SST)	4
20	NS-015-11	Nut ⁵ / ₁₆ -18 Hex	4
21	00-120603	Gasket – Seal Retainer	2
22	SC-041-15	Cap Screw ⁵ / ₁₆ -18 x 1 ¹ / ₄ Hex Hd.	4
23	00-545595	Sealer (¹ / ₈ Rd.)	AR
24	WS-017-08	Washer	4



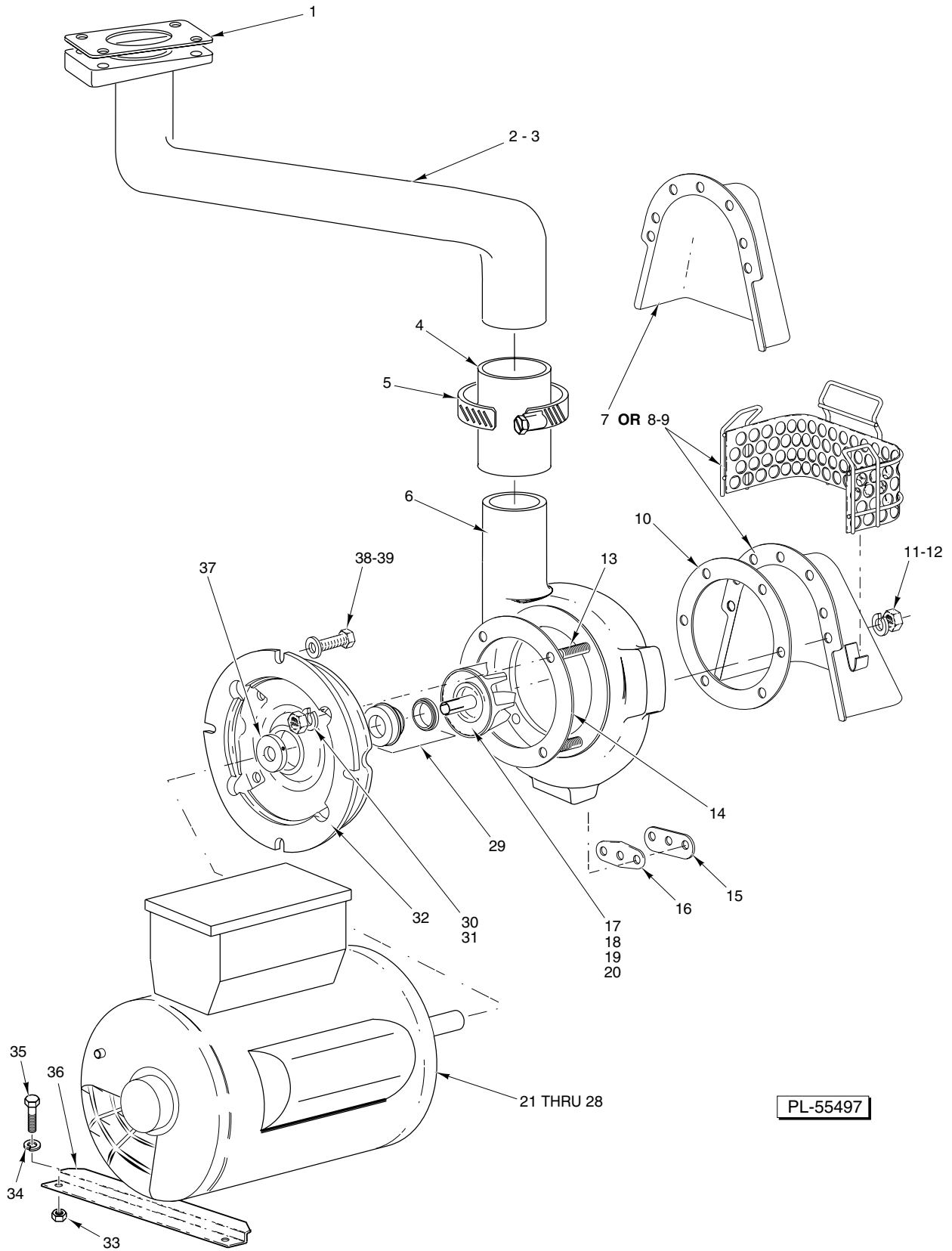
PL-55274

DOOR AND CURTAIN

DOOR AND CURTAIN

ILLUS. PL-55274	PART NO.	NAME OF PART	AMT.
1	00-112378-00049	Door Slide (26 ¹ / ₈ Door Height)	2
2	00-112378-00050	Door Slide (32 ¹ / ₈ Door Height)	2
3	00-185864	Catch – Door	1
4	PC-005-02	Cotter Pin 1/16 x 1/2 (SST)	1
5	00-271084	Splash Curtain (26 ¹ / ₈ Door Height)	1
6	00-271084-00002	Splash Curtain (32 ¹ / ₈ Door Height)	1
7	00-120266-00001	Curtain Rod	1
8	00-328065	Actuator – Lift Drain	1
9	NS-031-21	Stop Nut – Special 1/4-20 Hex	AR
10	00-270996	Insulator – Switch	1
11	NS-031-50	Stop Nut 6-32 Hex (SST)	2
12	00-749347	Switch – Reed Encapsulated	1
13	00-290160	Magnet	1
14	00-290159	Retainer – Magnet	1
15	NS-031-50	Stop Nut 6-32 Hex (SST)	2
16	00-328064-00007	Door (26 ¹ / ₈) (R-L & L-R)	1
17	00-328079-00007	Door (32 ¹ / ₈) (R-L & L-R)	1
18	00-012114	Pin	1
19	00-274767	Actuator – Lift Drain	1
20	NS-031-21	Stop Nut – Special 1/4-20 Hex	2
*21	—	Door (26 ¹ / ₈) (L-R)	1
*22	—	Door (26 ¹ / ₈) (R-L)	1
*23	—	Door (32 ¹ / ₈) (L-R)	1
*24	—	Door (32 ¹ / ₈) (R-L)	1

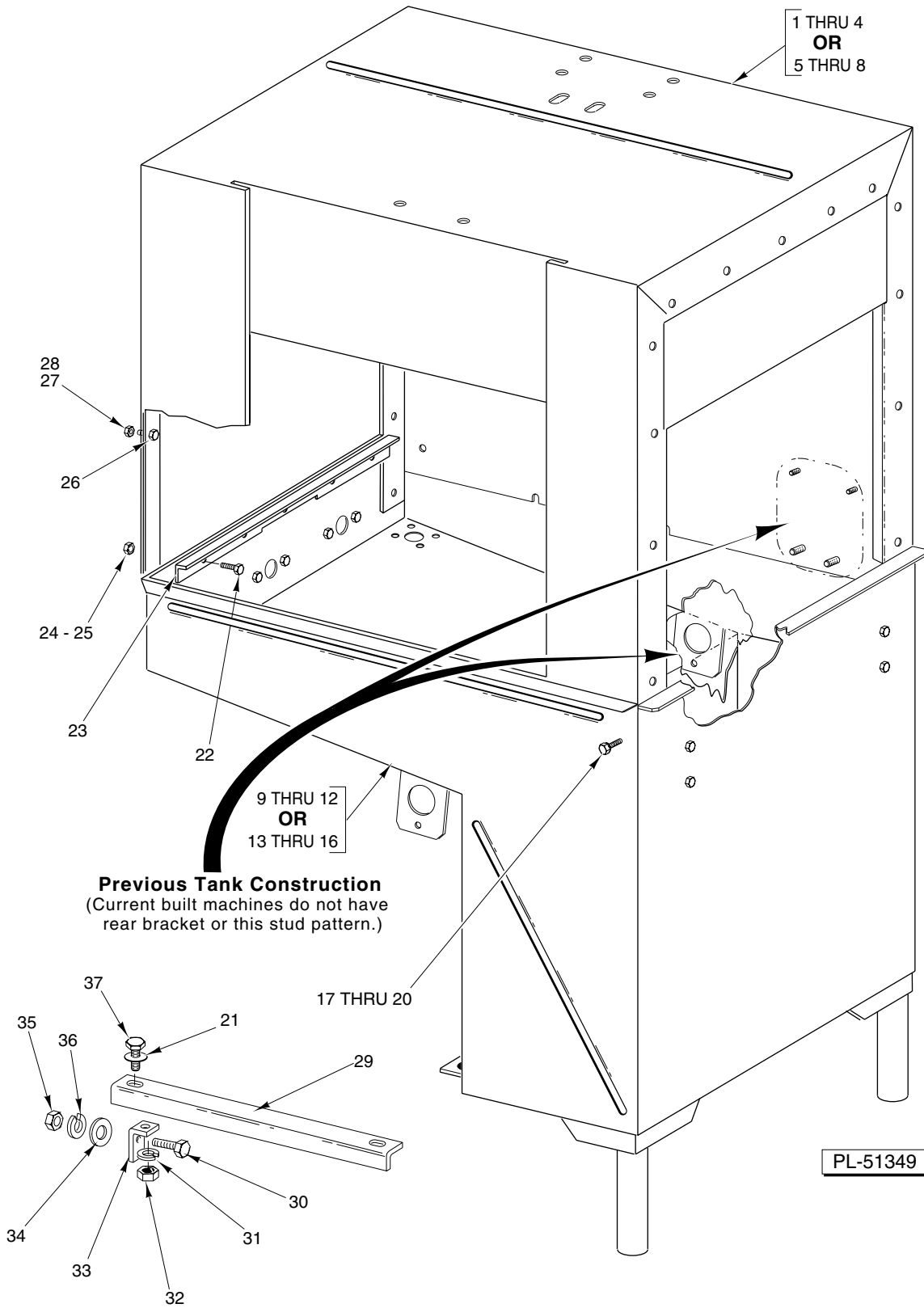
*No Longer Available. Order Item 19 or 20 and Item 9 to convert to present style.



PREWASH MOTOR AND PUMP

PREWASH MOTOR AND PUMP

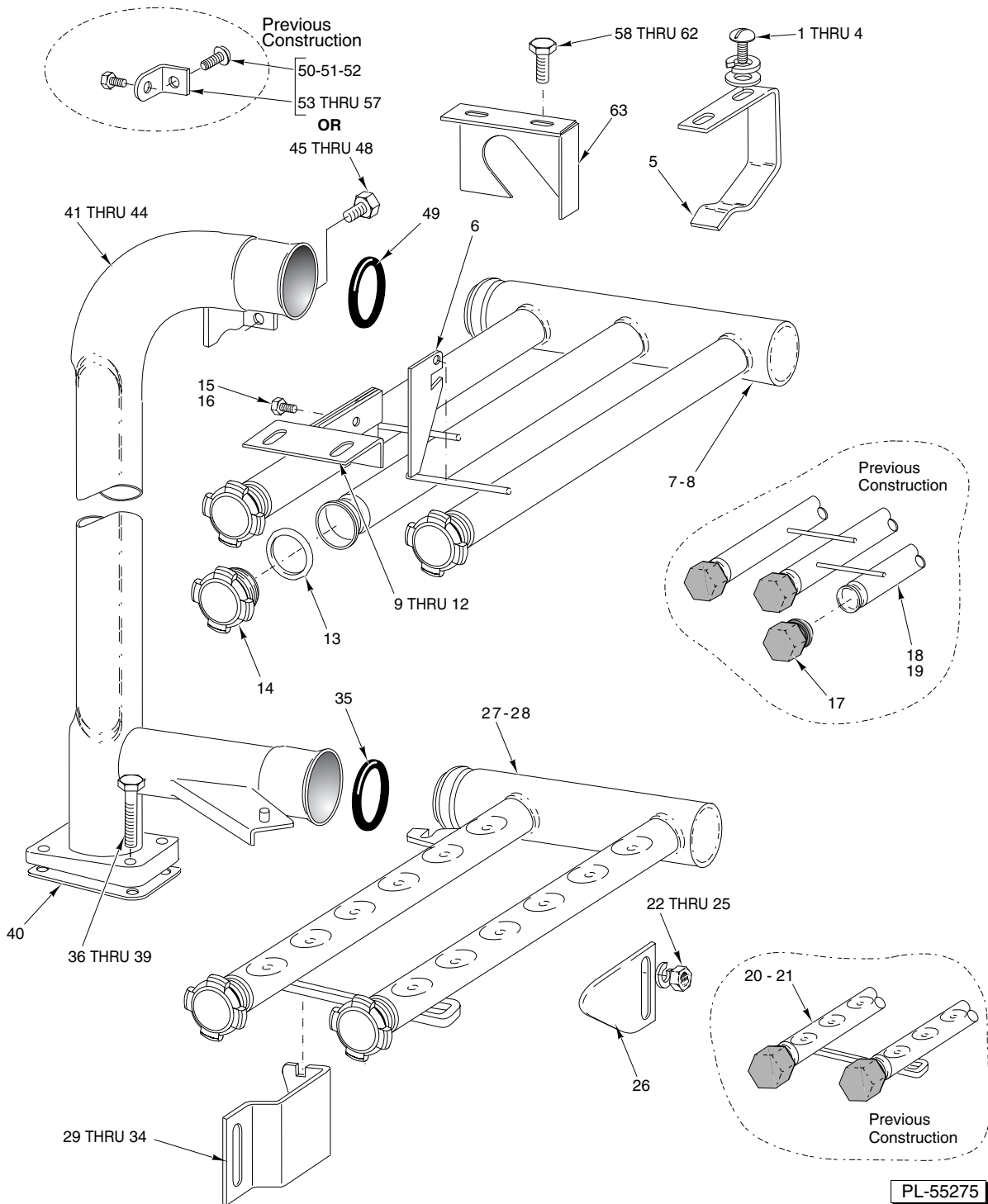
ILLUS.	PART NO.	NAME OF PART	AMT.
PL-55497			
1	00-270968	Gasket – Wash Pipe	1
2	00-274063	Tube – Discharge (R-L)	1
3	00-274064	Tube – Discharge (L-R) (Not Shown)	1
4	00-749586	Hose – Discharge	1
5	00-542337	Clamp – Hose	2
6	00-274227-00001	Pump Shell (Incls. Item 7)	1
7	00-274223	Shroud	1
8	00-274246	Shroud	1
9	00-328362	Strainer – Pump	1
10	00-119050	Gasket – Pump Intake	1
11	WL-006-23	Lockwasher ⁵ / ₁₆ Medium (SST)	10
12	NS-015-11	Nut ⁵ / ₁₆ -18 Hex	10
13	00-274227-00005	Stud	AR
14	00-274227-00004	Gasket	1
15	00-812776	Support Plate	2
16	00-119051	Gasket – Pump Drain Hole	2
17	00-274227-00008	Impeller & Sleeve (60 Hz.) (1 Hp.) (1 & 3 Ph.)	1
18	00-274227-00011	Impeller & Sleeve (50 Hz.) (1 Hp.) (1 & 3 Ph.)	1
19	00-274227-00009	Impeller & Sleeve (60 Hz.) (2 Hp.) (1 & 3 Ph.)	1
20	00-274227-00007	Impeller & Sleeve (50 Hz.) (2 Hp.) (1 & 3 Ph.)	1
21	00-274230-00005	Motor (1 Ph., 60 Hz) (1 Hp.)	1
22	00-274230-00006	Motor (3 Ph., 60 Hz) (1 Hp.)	1
23	00-274230-00007	Motor (1 Ph., 50 Hz) (1 Hp.)	1
24	00-274230-00008	Motor (3 Ph., 50 Hz) (1 Hp.)	1
25	00-274230-00001	Motor (1 Ph., 60 Hz) (2 Hp.)	1
26	00-274230-00002	Motor (3 Ph., 60 Hz) (2 Hp.)	1
27	00-274230-00003	Motor (1 Ph., 50 Hz) (2 Hp.)	1
28	00-274230-00004	Motor (3 Ph., 50 Hz) (2 Hp.)	1
29	00-274227-00006	Seal – Shaft	1
30	WL-006-22	Lockwasher ⁵ / ₁₆ Light	4
31	NS-015-11	Nut ⁵ / ₁₆ -18 Hex	4
32	00-274227-00003	Adapter	1
33	NS-015-01	Nut ¹ / ₄ -20 Hex (SST)	2
34	WL-006-17	Lockwasher ¹ / ₄ Medium	2
35	SC-041-05	Cap Screw ¹ / ₄ -20 x ⁵ / ₈ Hex Hd. (SST)	2
36	00-475216	Bracket – Motor Support	1
37	00-274227-00002	Clamp	1
38	SC-041-29	Cap Screw ³ / ₈ -16 x ⁷ / ₈ Hex Hd., (Wax-Coated Threads) (SST)	4
39	WS-006-44	Washer	4



PREWASH CHAMBER AND TANK

PREWASH CHAMBER AND TANK

ILLUS. PL-51349	PART NO.	NAME OF PART	AMT.
1	00-435779	Chamber Assy. W/Studs (26 ¹ / ₈ Door Height) (R-L)	1
2	00-435781	Chamber Assy. W/Studs (26 ¹ / ₈ Door Height) (L-R)	1
3	00-435780	Chamber Assy. W/Studs (32 ¹ / ₈ Door Height) (R-L)	1
4	00-435782	Chamber Assy. W/Studs (32 ¹ / ₈ Door Height) (L-R)	1
5	00-274214-00001	Chamber Assy. (26 ¹ / ₈ Door Height) (R-L)	1
6	00-274213-00001	Chamber Assy. (26 ¹ / ₈ Door Height) (L-R)	1
7	00-274704-00001	Chamber Assy. (32 ¹ / ₈ Door Height) (R-L)	1
8	00-274703-00001	Chamber Assy. (32 ¹ / ₈ Door Height) (L-R)	1
9	00-274082	Tank Assy. W/Rear Bracket (R-L)	1
10	00-274089	Tank Assy. W/Rear Bracket (L-R) (Not Shown)	1
11	00-274082-00002	Tank Assy. (R-L) (With Side Loader)	1
12	00-274089-00002	Tank Assy. (L-R) (With Side Loader)	1
13	00-329932-00001	Tank Assy. (R-L)	1
14	00-329930-00001	Tank Assy. (L-R)	1
15	00-329932-00002	Tank Assy. (R-L) (W/Side Loader)	1
16	00-329930-00002	Tank Assy. (L-R) (W/Side Loader)	1
17	SC-041-11	Cap Screw ⁵ / ₁₆ -18 x ³ / ₄ Hex Hd. (SST)	4
18	WL-006-23	Lockwasher ⁵ / ₁₆ Medium (SST)	6
19	NS-015-11	Nut ⁵ / ₁₆ -18 Hex	6
20	WS-017-01	Washer	6
21	WS-017-01	Washer	4
22	SC-041-05	Cap Screw ¹ / ₄ -20 x ⁵ / ₈ Hex Hd. (SST)	5
23	00-274103	Support – Tank	1
24	WL-006-17	Lockwasher ¹ / ₄ Medium	5
25	NS-015-01	Nut ¹ / ₄ -20 Hex (SST)	5
26	SC-041-05	Cap Screw ¹ / ₄ -20 x ⁵ / ₈ Hex Hd. (SST)	15
27	NS-015-01	Nut ¹ / ₄ -20 Hex (SST)	15
28	WL-006-17	Lockwasher ¹ / ₄ Medium	15
29	00-274092-00002	Strut – Tank-to-Tank	2
30	SC-041-11	Cap Screw ⁵ / ₁₆ -18 x ³ / ₄ Hex Hd. (SST)	2
31	WL-006-23	Lockwasher ⁵ / ₁₆ Medium (SST)	4
32	NS-015-11	Nut ⁵ / ₁₆ -18 Hex	4
33	00-274091	Bracket – Strut Support	2
34	WS-017-08	Washer	2
35	NS-015-11	Nut ⁵ / ₁₆ -18 Hex	2
36	WL-006-23	Lockwasher ⁵ / ₁₆ Medium (SST)	2
37	SC-041-11	Cap Screw ⁵ / ₁₆ -18 x ³ / ₄ Hex Hd. (SST)	4

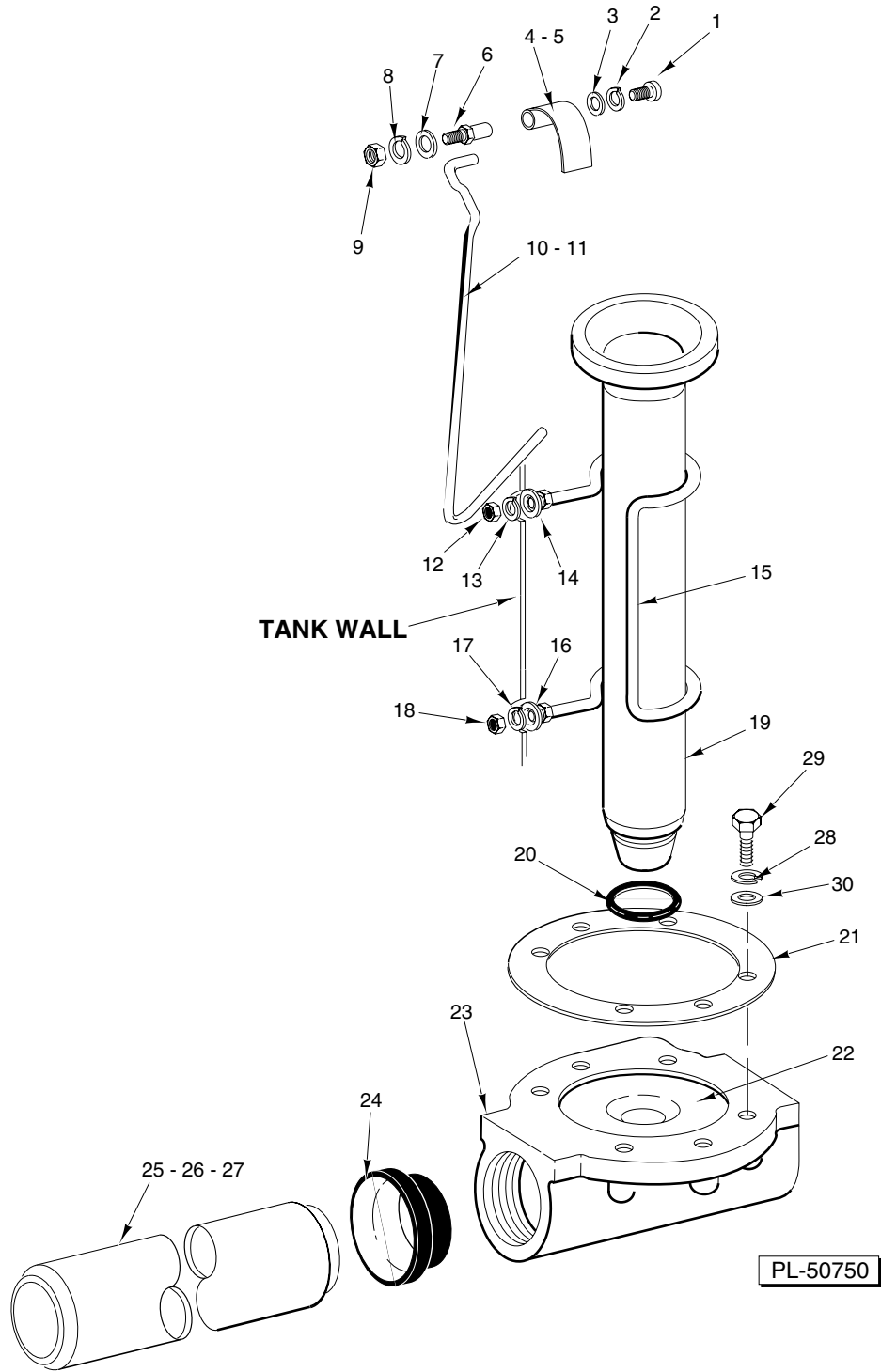


PREWASH ARMS AND TUBES

PREWASH ARMS AND TUBES

ILLUS.	PART NO.	NAME OF PART	AMT.
	PL-55275		
1	SC-125-85	Mach. Screw 1/4-20 x 5/8 Truss Hd. (SST)	4
2	WS-022-01	Washer	8
3	WL-006-17	Lockwasher 1/4 Medium	4
4	NS-015-01	Nut 1/4-20 Hex (SST)	4
5	00-271026	Hanger – Upper Wash Arm	2
6	00-289760	Latch	1
7	00-749417	Wash Arm – Upper (R-L)	1
8	00-749419	Wash Arm – Upper (L-R)	1
9	00-271031	Bracket	1
10	WS-017-08	Washer	2
11	WL-006-23	Lockwasher 5/16 Medium (SST)	2
12	NS-015-11	Nut 5/16-18 Hex	2
13	00-067500-00127	“O” Ring	5
14	00-475589	Plug – Wash Arm	5
15	SC-041-01	Cap Screw 1/4-20 x 3/4 Hex Hd. (SST)	2
16	NS-031-19	Stop Nut 1/4-20 “Elastic” (SST)	2
17	00-475087	Plug – Wash Arm	5
*18	00-436946	Wash Arm – Upper (R-L)	1
*19	00-436945	Wash Arm – Upper (L-R)	1
*20	00-274248	Wash Arm – Lower (R-L)	1
*21	00-274251	Wash Arm – Lower (L-R)	1
22	NS-015-11	Nut 5/16-18 Hex	2
23	WL-006-23	Lockwasher 5/16 Medium (SST)	2
24	WS-017-08	Washer	2
25	SC-041-13	Cap Screw 5/16-18 x 1 Hex Hd. (SST)	2
26	00-274222	Support – Adjustable	1
27	00-749422	Wash Arm – Lower (R-L)	1
28	00-749429	Wash Arm – Lower (L-R)	1
29	00-274108-00002	Catch – Adjustable (R-L)	1
30	00-274108-00001	Catch – Adjustable (L-R)	1
31	NS-015-11	Nut 5/16-18 Hex	2
32	WL-006-23	Lockwasher 5/16 Medium (SST)	2
33	WS-017-08	Washer	2
34	SC-041-11	Cap Screw 5/16-18 x 3/4 Hex Hd. (SST)	2
35	00-067500-00110	“O” Ring	1
36	SC-041-18	Cap Screw 5/16-18 x 1 3/4 Hex Hd. (SST)	4
37	WS-017-08	Washer	8
38	WL-006-23	Lockwasher 5/16 Medium (SST)	4
39	NS-015-11	Nut 5/16-18 Hex	4
40	00-270968	Gasket – Wash Pipe	1
41	00-274061	Wash Pipe (R-L, With Lower Wash Arm) (26 1/8 Ht.)	1
42	00-274062	Wash Pipe (L-R, With Lower Wash Arm) (26 1/8 Ht.)	1
43	00-274576	Wash Pipe (R-L, With Lower Wash Arm) (32 1/8 Ht.)	1
44	00-274731	Wash Pipe (L-R, With Lower Wash Arm) (32 1/8 Ht.)	1
45	SC-041-01	Cap Screw 1/4-20 x 3/4 Hex Hd. (SST)	1
46	WS-022-01	Washer	2
47	WL-006-17	Lockwasher 1/4 Medium	1
48	NS-015-01	Nut 1/4-20 Hex (SST)	1
49	00-067500-00110	“O” Ring	1
50	SC-053-42	Mach. Screw 1/4-20 x 5/8 Truss Hd. (SST)	1
51	WL-006-17	Lockwasher 1/4 Medium	1
52	NS-015-01	Nut 1/4-20 Hex (SST)	1
53	00-185732	Bracket	1
54	SC-041-05	Cap Screw 1/4-20 x 5/8 Hex Hd. (SST)	1
55	WS-022-01	Washer	1
56	WL-006-17	Lockwasher 1/4 Medium	1
57	NS-015-01	Nut 1/4-20 Hex (SST)	1
58	SC-041-11	Cap Screw 5/16-18 x 3/4 Hex Hd. (SST)	2
59	WS-017-01	Washer	2
60	WS-017-08	Washer	2
61	WL-006-23	Lockwasher 5/16 Medium (SST)	2
62	NS-015-11	Nut 5/16-18 Hex	2
63	00-271029	Guide – Upper Wash Arm	1

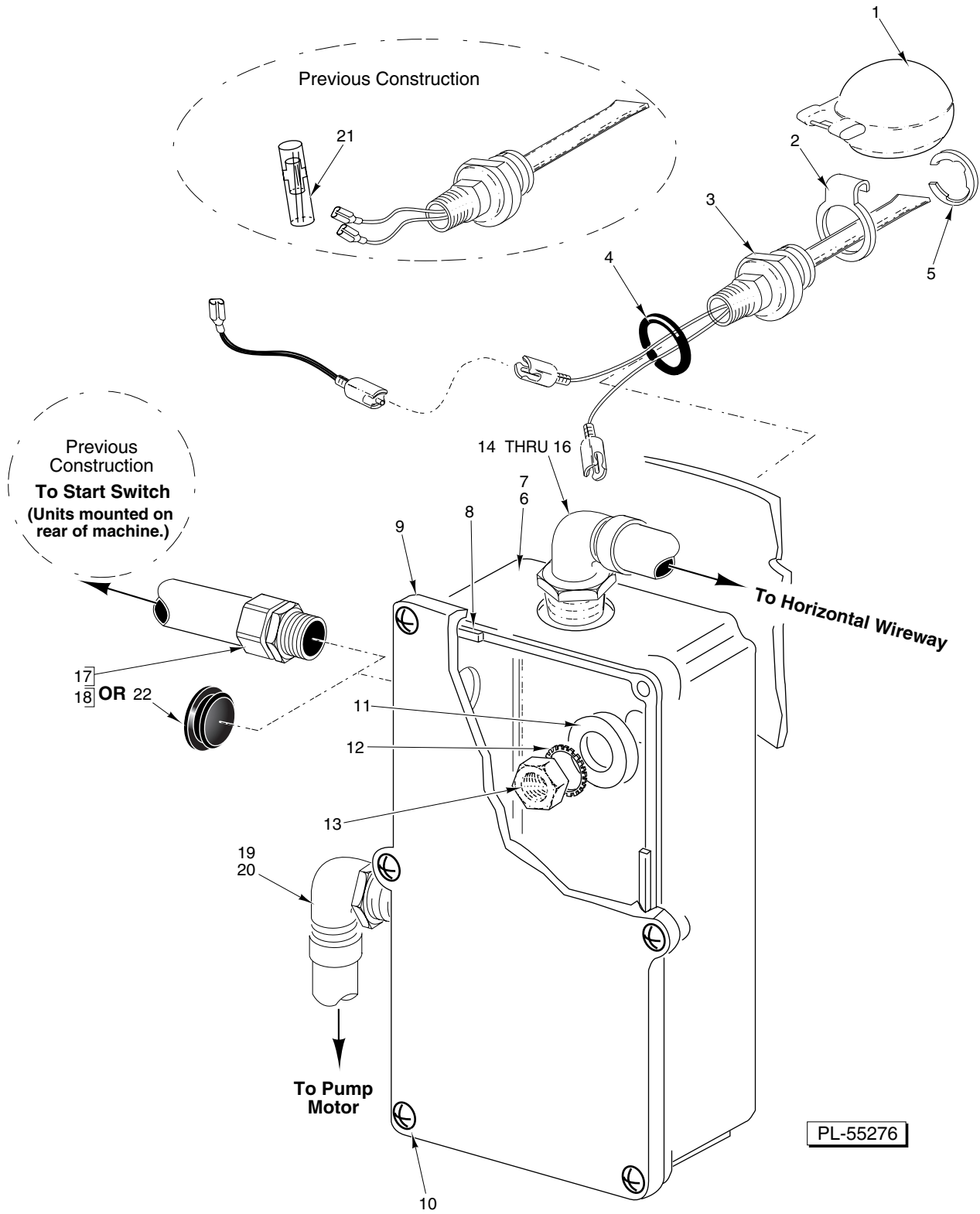
*Obsolete part number. For replacement, use Item 7, 8, 27, or 28 with Items 13 & 14.



DRAIN

DRAIN

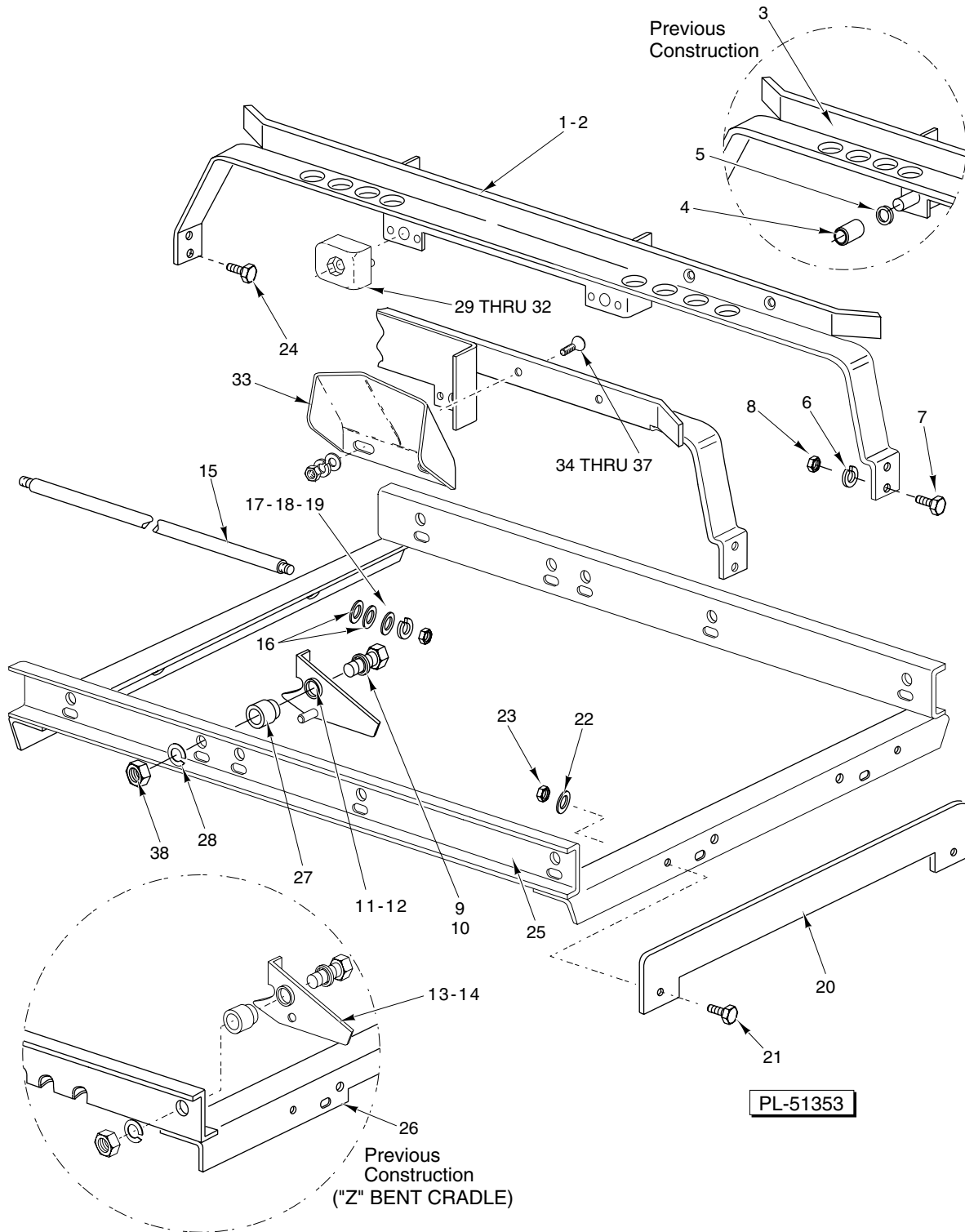
ILLUS.	PART NO.	NAME OF PART	AMT.
PL-50750			
1	SC-114-15	Mach. Screw 10-24 x 3/8 Rd. Hd. (SST)	1
2	WL-006-07	Lockwasher #10 Medium	1
3	WS-019-06	Washer	1
4	00-274096	Drain Lever (R-L)	1
5	00-271070	Drain Lever (L-R)	1
6	00-119116	Axle – Drain Lever	1
7	WS-022-01	Washer	1
8	WL-006-17	Lockwasher 1/4 Medium	1
9	NS-015-01	Nut 1/4-20 Hex (SST)	1
10	00-274080	Lift Rod Overflow (R-L)	1
11	00-274079	Lift Rod Overflow (L-R)	1
12	NS-015-11	Nut 5/16-18 Hex	2
13	WL-006-23	Lockwasher 5/16 Medium (SST)	1
14	WS-017-01	Washer	2
15	00-270952	Retainer	1
16	WS-017-01	Washer	2
17	WL-006-23	Lockwasher 5/16 Medium (SST)	1
18	NS-015-11	Nut 5/16-18 Hex	2
19	00-119099-00002	Tube – Overflow	1
20	00-067500-00120	“O” Ring	1
21	00-289464	Gasket – Drain	1
22	00-270947	Sleeve – Drain Body	1
23	00-289465	Drain Body	1
24	00-328813	Bushing – Drain	AR
25	00-274132-00003	Pipe – Drain (R-L) (CPW80A, AW, CPW90A, & CPW124A)	1
26	00-274132-00004	Pipe – Drain (L-R) (CPW80A, AW, CPW90A, & CPW124A)	1
27	00-274132-00007	Pipe – Drain (CPW100A)	1
28	WL-006-28	Lockwasher 3/8 Medium	6
29	SC-041-28	Cap Screw 3/8-16 x 3/4 Hex Hd.	6
30	WS-006-44	Washer	6



WATER LEVEL FLOATS

WATER LEVEL FLOATS

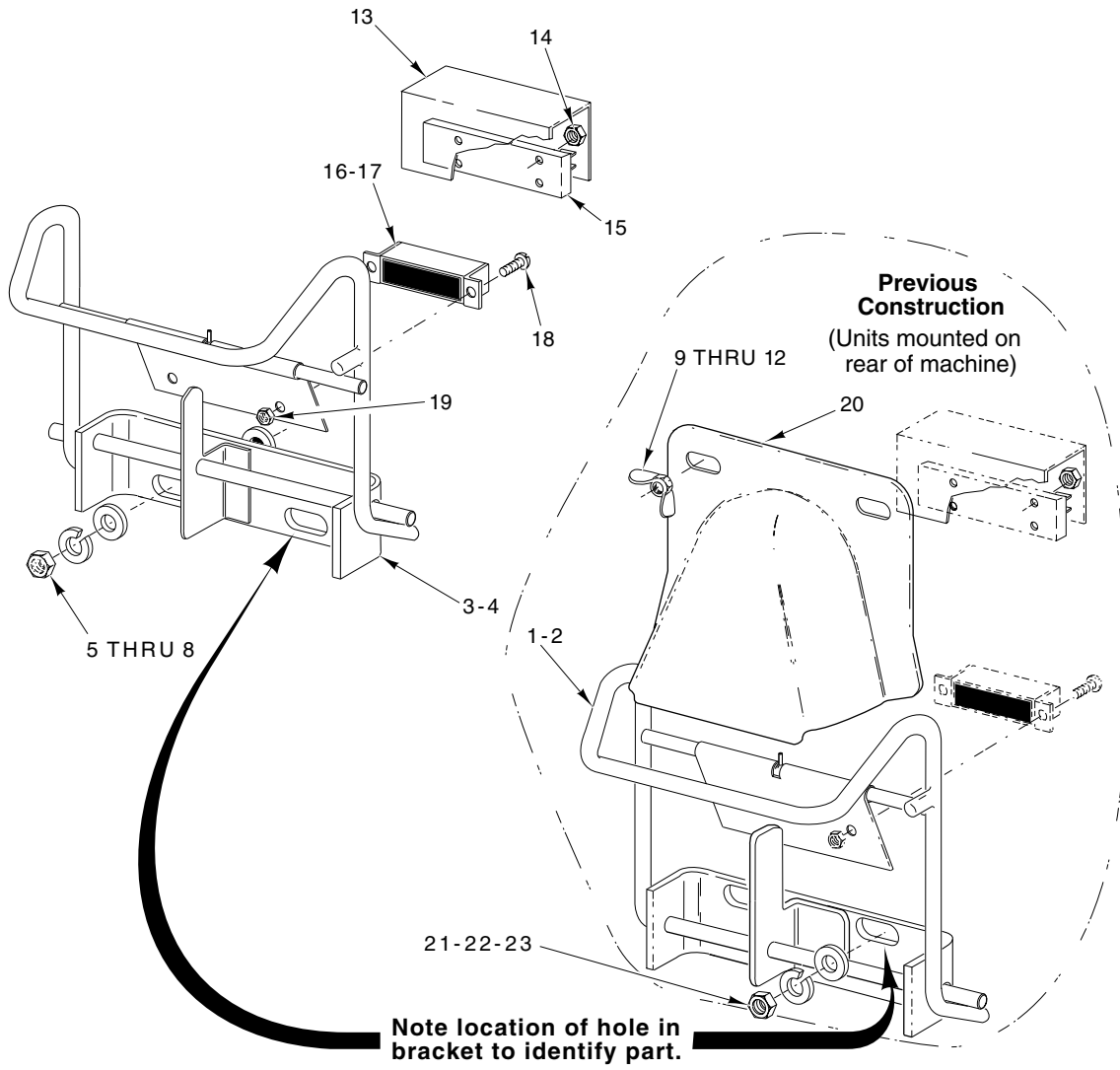
ILLUS.	PART NO.	NAME OF PART	AMT.
PL-55276			
1	00-122674	Float Assy.	2
2	00-112467	Retainer – Float	2
3	00-328495	Switch & Probe Assy. (Incls. Items 1, 2, & 5) (Must Order 2 Jumper Wires Part # 328758)	2
4	00-067500-00072	“O” Ring	2
5	RR-010-13	Retaining Ring	2
6	00-274224	Box – Probe (R-L)	1
7	00-274097	Box – Probe (L-R)	1
8	00-112005	Gasket (Lid)	1
9	00-289146-00001	Lid & Gasket Assy. (Incls. Item 8)	1
10	SD-012-20	Self-Tapping Screw 8-32 x 1/2 Phil. Truss Hd., Type T	6
11	WS-010-40	Washer – Thrust	2
12	WL-014-31	Lockwasher 1/2 External Shakeproof (SST)	2
13	NS-018-28	Jam Nut 1/2-20 Hex	2
14	FE-024-58	Connector – Straight (Non-Metallic) “Sealtite” (3/4 Male Thd. x 3/4 Flex Cond.)	1
15	FE-024-66	Connector 90 Deg. (Non-Metallic) “Sealtite” (3/4 Male Thd. x 3/4 Flex Cond.)	1
16	FE-008-11	Gasket – Electrical	AR
17	FE-024-57	Connector Straight (Non-Metallic) “Sealtite” (1/2 Male Thd. x 1/2 Flex Cond.)	2
18	FE-008-10	1/2 Gasket Assy.	AR
19	FE-024-61	Connector – 45 Deg. (Non-Metallic) “Sealtite” (1/2 Male Thd. x 1/2 Flex Cond.)	2
20	FE-008-10	1/2 Gasket Assy.	2
21	00-065890-00085	Line – Splice (Shown)	AR
22	PB-004-08	Plug Button Heyco 2703	1



TRACK AND CRADLE

TRACK AND CRADLE

ILLUS.	PART NO.	NAME OF PART	AMT.
	PL-51353		
1	00-436868-00001	Rack Track (Rear R-L with; Front L-R)	1
2	00-436867-00001	Rack Track (Rear L-R with; Front R-L)	1
3	—	Rack Track (Not Available, Order* Below)	2
4	00-270977	Roller	4
5	WS-018-04	Washer	4
6	WL-006-23	Lockwasher ⁵ / ₁₆ Medium (SST)	8
7	SC-041-11	Cap Screw ⁵ / ₁₆ -18 x ³ / ₄ Hex Hd. (SST)	4
8	NS-015-11	Nut ⁵ / ₁₆ -18 Hex	8
9	SC-041-31	Cap Screw ³ / ₈ -16 x 1 ¹ / ₄ Hex Hd.	4
10	WS-018-04	Washer	4
11	00-436704-00001	Dog (Front R-L with; Rear L-R)	2
12	00-436704-00002	Dog (Front L-R with; Rear R-L)	2
13	00-436703-00001	Dog (Front R-L; Rear L-R) (Service For "Z" Bent Cradles Only)	2
14	00-436703-00002	Dog (Front L-R; Rear R-L) (Service For "Z" Bent Cradles Only)	2
15	00-274559	Screw – Connecting	2
16	WS-029-74	Washer	4
17	WS-017-01	Washer	4
18	WL-006-23	Lockwasher ⁵ / ₁₆ Medium (SST)	4
19	NS-015-11	Nut ⁵ / ₁₆ -18 Hex	4
20	00-271012	Baffle – Cradle Upper	AR
21	SC-041-10	Cap Screw ⁵ / ₁₆ -18 x ⁵ / ₈ Hex Hd.	AR
22	WL-006-23	Lockwasher ⁵ / ₁₆ Medium (SST)	AR
23	NS-015-11	Nut ⁵ / ₁₆ -18 Hex	AR
24	SC-041-12	Cap Screw ⁵ / ₁₆ -18 x ⁷ / ₈ Hex Hd.	4
25	00-436934	Cradle	1
26	—	Cradle (Not Available with; Order * and ** Below)	AR
27	00-270983	Spacer	4
28	WL-006-28	Lockwasher ³ / ₈ Medium	4
29	00-473232	Slider – Small	4
30	SC-041-15	Cap Screw ⁵ / ₁₆ -18 x 1 ¹ / ₄ Hex Hd.	4
31	WL-006-23	Lockwasher ⁵ / ₁₆ Medium (SST)	4
32	NS-015-11	Nut ⁵ / ₁₆ -18 Hex	4
33	00-437047	Deflector – Silverware	1
34	SC-022-39	Mach. Screw ¹ / ₄ -20 x ⁵ / ₈ Flat Hd.	2
35	WS-003-47	Washer	2
36	WL-006-17	Lockwasher ¹ / ₄ Medium	2
37	NS-015-01	Nut ¹ / ₄ -20 Hex (SST)	2
38	NS-046-09	Stop Nut ³ / ₈ -16 Elastic	4
*	00-436970	Rack Track Assy. (Rear R-L; Front L-R) (Incls. Items 1 & 29 thru 32)	1
*	00-436969	Rack Track Assy. (Rear L-R; Front R-L) (Incls. Items 2 & 29 thru 32)	1
**	00-436933-00001	Cradle & Dog Assy. (Standard Racks Only) (Incls. Items 9 thru 12, 25, 27, 28, & 38)	1

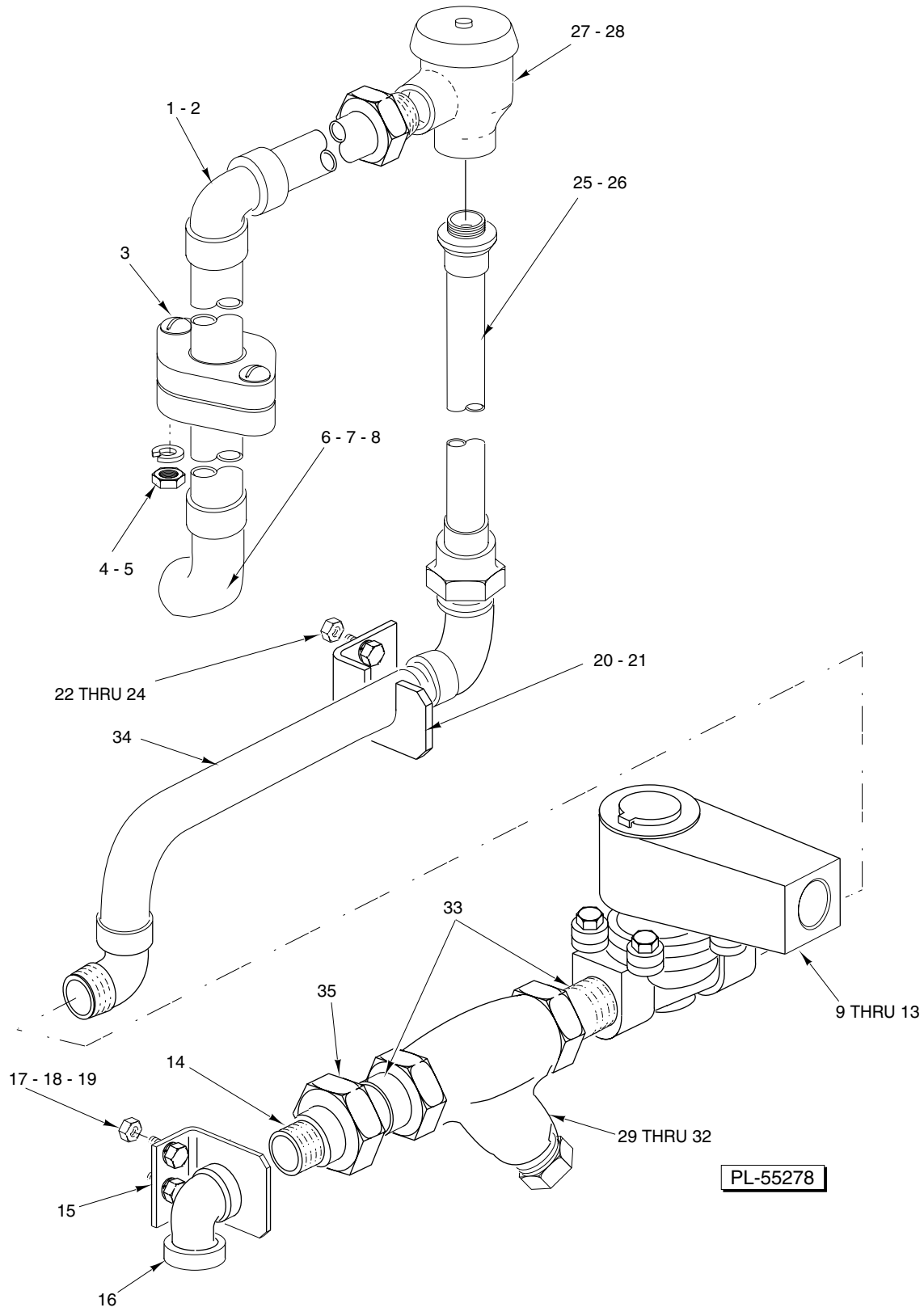


PL-55277

ACTUATOR MECHANISM

ACTUATOR MECHANISM

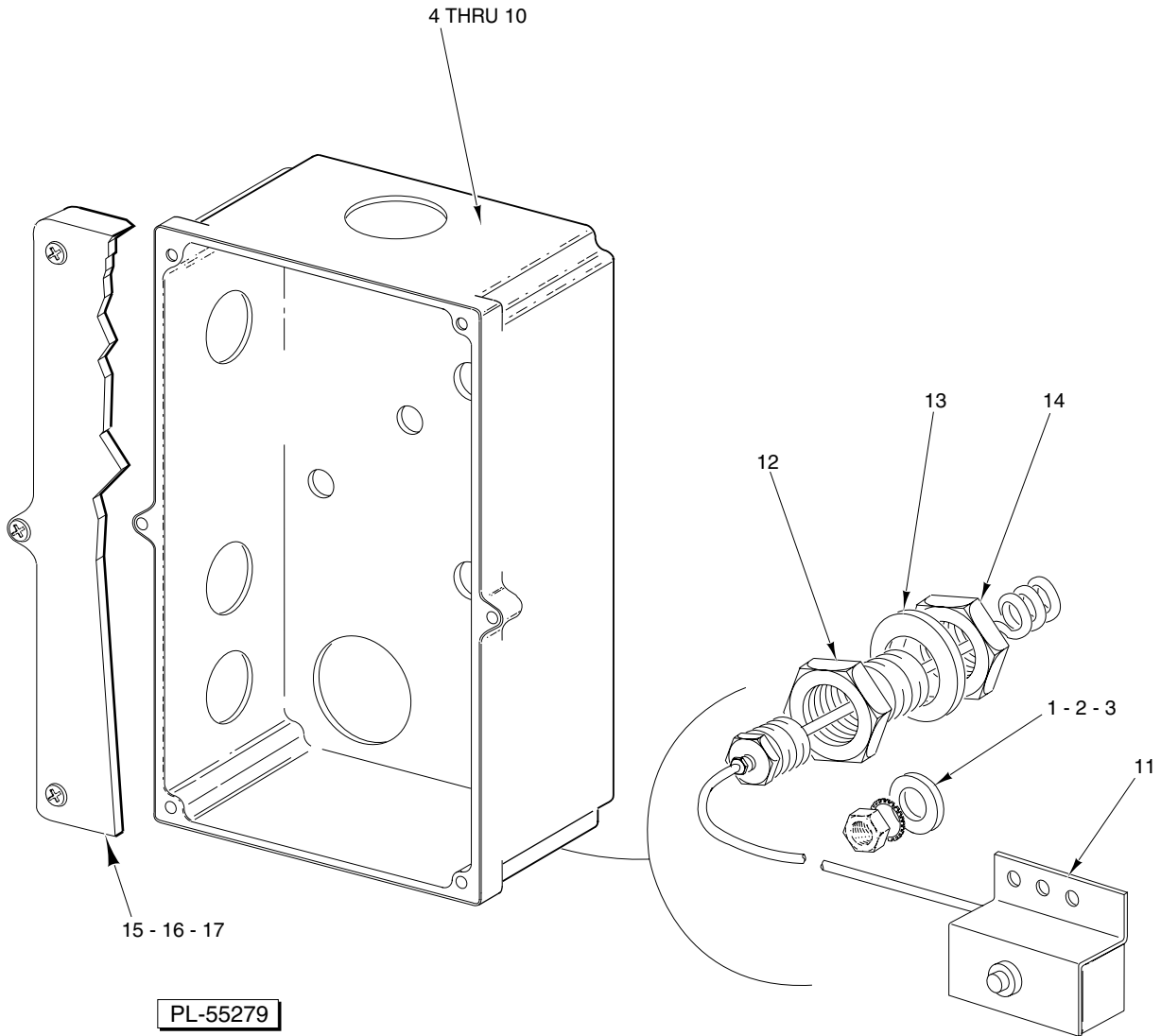
ILLUS. PL-55277	PART NO.	NAME OF PART	AMT.
1	00-435809	Actuator (Rear R-L)	1
2	00-435808	Actuator (Rear L-R)	1
3	00-436955	Actuator (Front R-L)	1
4	00-436027	Actuator (Front L-R)	1
5	WL-006-23	Lockwasher ⁵ / ₁₆ Medium (SST)	2
6	WS-017-08	Washer	2
7	WS-029-05	Washer	2
8	NS-015-11	Nut ⁵ / ₁₆ -18 Hex	2
9	NS-029-01	Wing Nut ¹ / ₄ -20	2
10	WL-006-17	Lockwasher ¹ / ₄ Medium	2
11	WS-017-06	Washer	2
12	SC-053-42	Mach. Screw ¹ / ₄ -20 x ⁵ / ₈ Truss Hd. (SST)	AR
13	00-270996	Insulator – Switch	1
14	NS-031-50	Stop Nut 6-32 Hex (SST)	2
15	00-749347	Switch – Reed Encapsulated	1
16	00-290160	Magnet (Dot Toward Switch)	1
17	00-290159	Retainer – Magnet	1
18	SC-127-26	Mach. Screw 6-32 x ³ / ₈ Rd. Hd. (SST)	2
19	NS-031-50	Stop Nut 6-32 Hex (SST)	2
20	00-436835	Shroud	1
21	WL-006-23	Lockwasher ⁵ / ₁₆ Medium (SST)	2
22	WS-017-08	Washer	2
23	NS-015-11	Nut ⁵ / ₁₆ -18 Hex	2



**PREWASH TEMPERATURE
CONTROL – PIPING**

**PREWASH TEMPERATURE
CONTROL – PIPING**

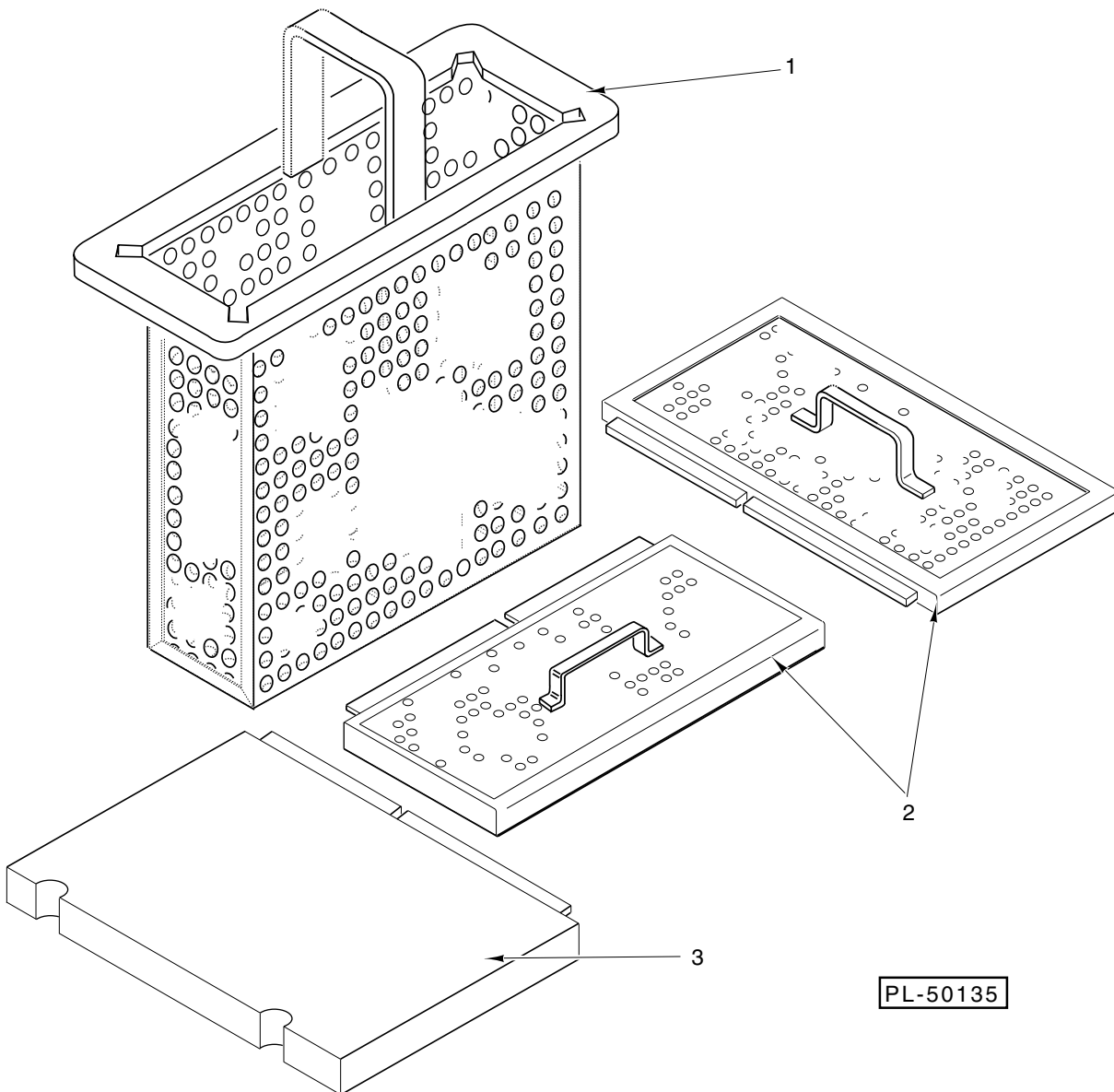
ILLUS.	PART NO.	NAME OF PART	AMT.
	PL-55278		
1	00-274486	Piping – Upper Prewash	1
2	00-276407	Gasket – Rinse Pipe	1
3	SC-128-07	Mach. Screw ⁵ / ₁₆ -18 x 1 ¹ / ₄ Rd. Hd. (SST)	2
4	WL-006-22	Lockwasher ⁵ / ₁₆ Light	2
5	NS-015-11	Nut ⁵ / ₁₆ -18 Hex	2
6	00-289971-00001	Inside Fill Pipe Assy. (L-R)	1
7	00-289971-00002	Inside Fill Pipe Assy. (R-L)	1
8	00-067500-00013	“O” Ring	1
9	00-270329-00002	Valve – Solenoid (240 V.) (CRS66A/AW & CPW80A/AW, without Pilot Circuit) (Incls. Items 10 & 13)	1
10	00-270318-00002	Coil – Solenoid Valve (240 V.)	1
11	00-270329-00001	Valve – Solenoid (120 V.) (Incls. Items 12 & 13)	1
12	00-270318-00001	Coil – Solenoid Valve (120 V.)	1
13	00-270336	Service Kit – Solenoid Valve	1
14	FP-041-55	Pipe ³ / ₄ x 2 ¹ / ₈ (Brass)	1
15	00-435797	Bracket – Piping	1
16	FP-015-23	Elbow – Pipe ³ / ₄ x 90 Deg. (Brass)	1
17	SC-041-10	Cap Screw ⁵ / ₁₆ -18 x ⁵ / ₈ Hex Hd.	2
18	WL-006-22	Lockwasher ⁵ / ₁₆ Light	2
19	NS-015-11	Nut ⁵ / ₁₆ -18 Hex	2
20	00-274481-00001	Bracket – Piping (R-L)	1
21	00-274481-00002	Bracket – Piping (L-R)	1
22	SC-041-10	Cap Screw ⁵ / ₁₆ -18 x ⁵ / ₈ Hex Hd.	2
23	WL-006-22	Lockwasher ⁵ / ₁₆ Light	2
24	NS-015-11	Nut ⁵ / ₁₆ -18 Hex	2
25	00-292911-00003	Piping (43 ³ / ₈)	1
26	00-292911-00004	Piping (49 ³ / ₈)	1
27	00-292909-00002	Breaker – Vacuum ¹ / ₂ (Incls. Item 28)	1
28	00-292910	Vacuum Breaker Float & Seal Assy.	1
29	00-186922	Strainer – Line ³ / ₄ Brass (Incls. Items 30, 31, & 32)	1
30	00-186923	Plug – Branch	1
31	00-186924	Gasket – Branch Plug	1
32	00-186925	Screen – Line Strainer	1
33	FP-041-50	Pipe ³ / ₄ x 1 ³ / ₈ TBE (Brass)	2
34	00-274485	Piping – Lower	1
35	FP-022-18	Union – Pipe ³ / ₄ Straight, Female (Brass)	1



PL-55279

PREWASH TEMPERATURE CONTROL – ELECTRICAL

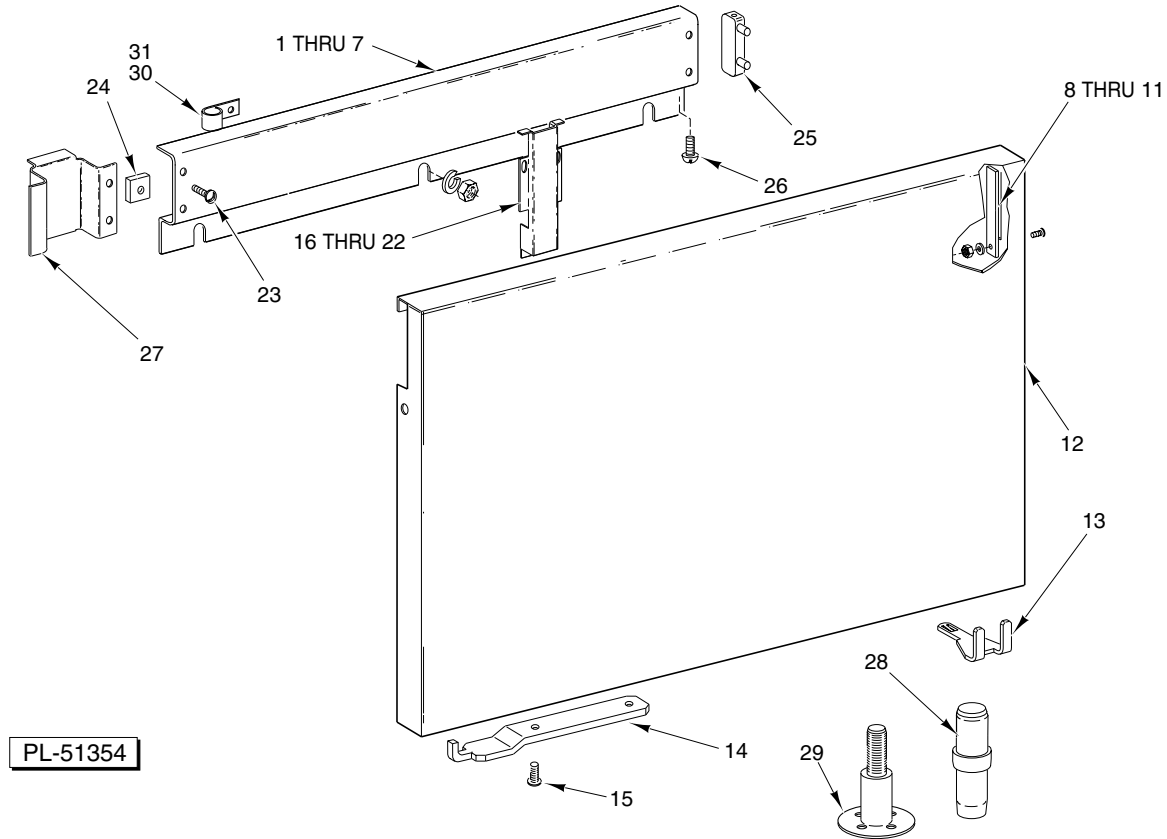
ILLUS.	PART NO.	NAME OF PART	AMT.
	PL-55279		
1	NS-011-18	Mach. Nut 10-24 Hex (SST)	2
2	WL-006-07	Lockwasher #10 Medium	2
3	WS-019-06	Washer	2
4	00-274253	Box – Float & Probe (R-L) (Previous Construction)	1
5	00-274254	Box – Float & Probe (L-R) (Previous Construction)	1
6	00-749116	Box – Float & Probe (R-L)	1
7	00-749115	Box – Float & Probe (L-R)	1
8	FE-007-03	Connector – 90 Deg. “Sealtite” (1/2 Male Thd. x 3/8 Flex. Cond.)	1
9	FE-007-01	Connector – Straight “Sealtite” (1/2 Male Thd. x 3/8 Flex. Cond.)	1
10	FE-008-10	1/2 Gasket Assy.	1
11	00-294681-021-1	Thermostat – Tank Heat	1
12	00-079531	Adapter – Tank	1
13	WS-012-40	Washer	1
14	FP-053-05	Pipe Locknut 1/2 NPSL (SST)	1
15	00-289146-00001	Lid & Gasket Assy. (Incls. Item 14)	1
16	00-112005	Gasket (Lid)	1
17	SD-012-20	Self-Tapping Screw 8-32 x 1/2 Phil. Truss Hd., Type T	6



BUCKET AND STRAINER PANS

ILLUS.	PART NO.	NAME OF PART	AMT.
1	00-271878	Bucket – Strainer	1
2	00-271880	Strainer	2
3	00-274143	Cover – Overflow	1

PW36A & AW SERIES PREWASH UNIT REPLACEMENT PARTS



ILLUS.	PART NO.	NAME OF PART	AMT.
PL-51354			
1	00-274059	Wireway – Horizontal (Front R-L).....	1
2	00-274211	Wireway – Horizontal (Front L-R).....	1
3	00-274123-00001	Wireway – Horizontal (Rear L-R).....	1
4	00-274123-00002	Wireway – Horizontal (Rear R-L).....	1
5	NS-015-01	Nut 1/4-20 Hex (SST).....	0
6	WS-017-06	Washer.....	AR
7	WL-006-17	Lockwasher 1/4 Medium.....	AR
8	00-436888	Cover – Panel Notch.....	AR
9	WS-019-06	Washer.....	0
10	NS-031-16	Stop Nut 10-24 Hex (SST).....	0
11	SC-053-05	Mach. Screw 10-24 x 3/8 Truss Hd., Slotted.....	0
12	00-436832-00001	Panel – Front Trim.....	1
13	00-271061	Support.....	1
14	00-289771	Retainer – Panel.....	1
15	SC-053-05	Mach. Screw 10-24 x 3/8 Truss Hd., Slotted.....	2
16	00-271055	Wireway – Vertical.....	AR
17	SC-021-22	Mach. Screw 10-24 x 3/8 Rd. Hd. (SST).....	AR
18	WL-006-07	Lockwasher #10 Medium.....	AR
19	WS-017-06	Washer.....	AR
20	WL-006-17	Lockwasher 1/4 Medium.....	AR
21	NS-015-01	Nut 1/4-20 Hex (SST).....	AR
22	WS-019-19	Washer.....	AR
23	SC-021-03	Mach. Screw 4-40 x 3/8 Rd. Hd. (SST).....	2
24	00-072937	Speed Nut 4-40.....	2
25	00-271057	Cap – Wireway.....	AR
26	SD-007-38	Self-Tapping Screw 8 x 1/4 Phil. Bind Hd., Type B.....	AR
27	00-274252	Wire – Raceway.....	1
28	00-288946-00002	Foot – Adjustable (1 1/2 to 2 3/4).....	2
29	00-329688	Foot – Flanged.....	2
30	00-294677-00003	Clamp – Wire (3/4 I.D.).....	2
31	NS-047-94	Nutlock – Special 3/16.....	2